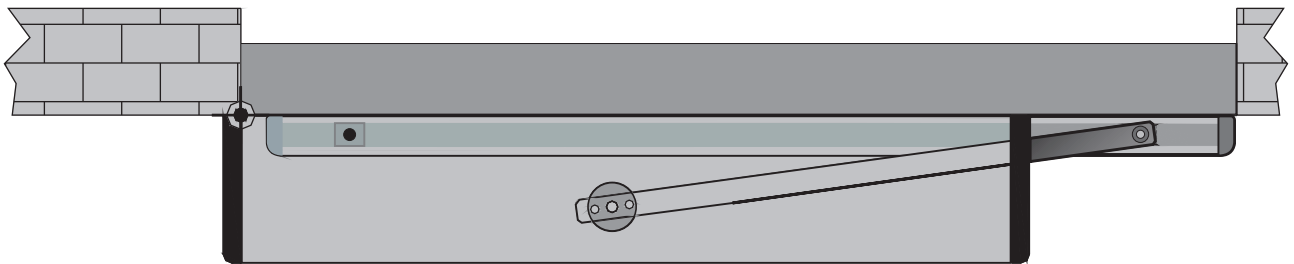
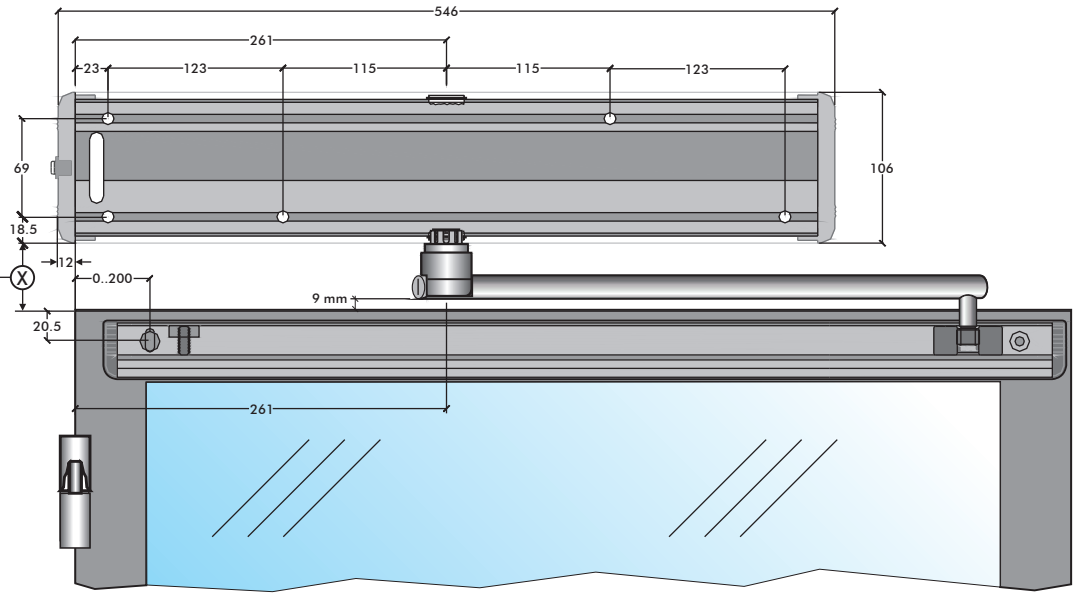
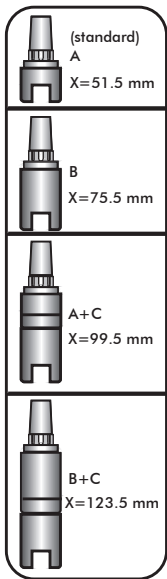



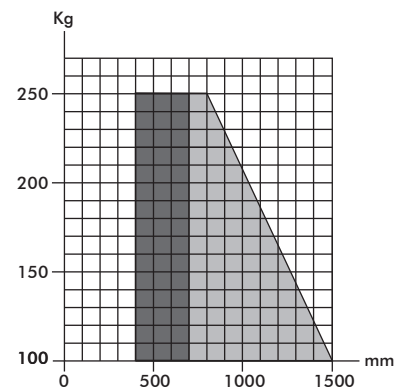
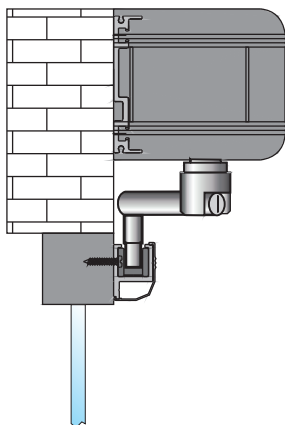
SLIDE PULL ARM



 Utilizable Length and weight

1)  Utilizable Length and weight with different fixing sizes

 NOT Utilizable Length and weight



1) Fixing drawings available on request