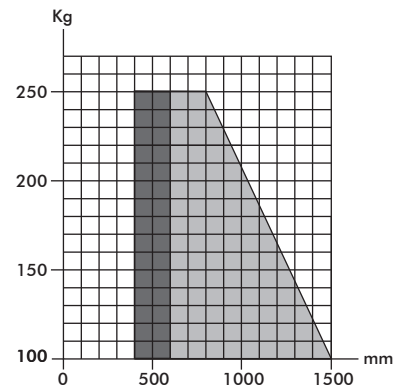
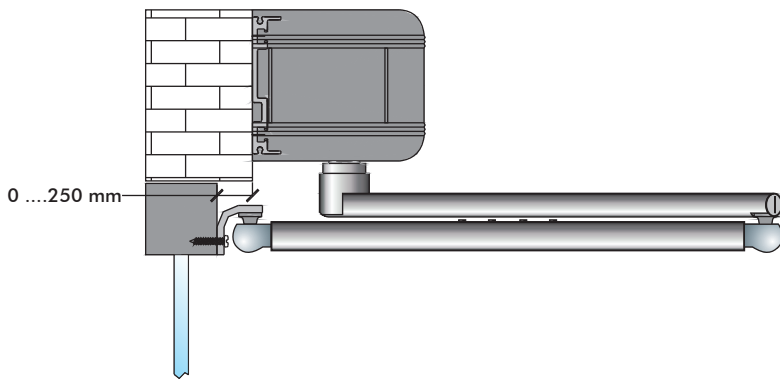
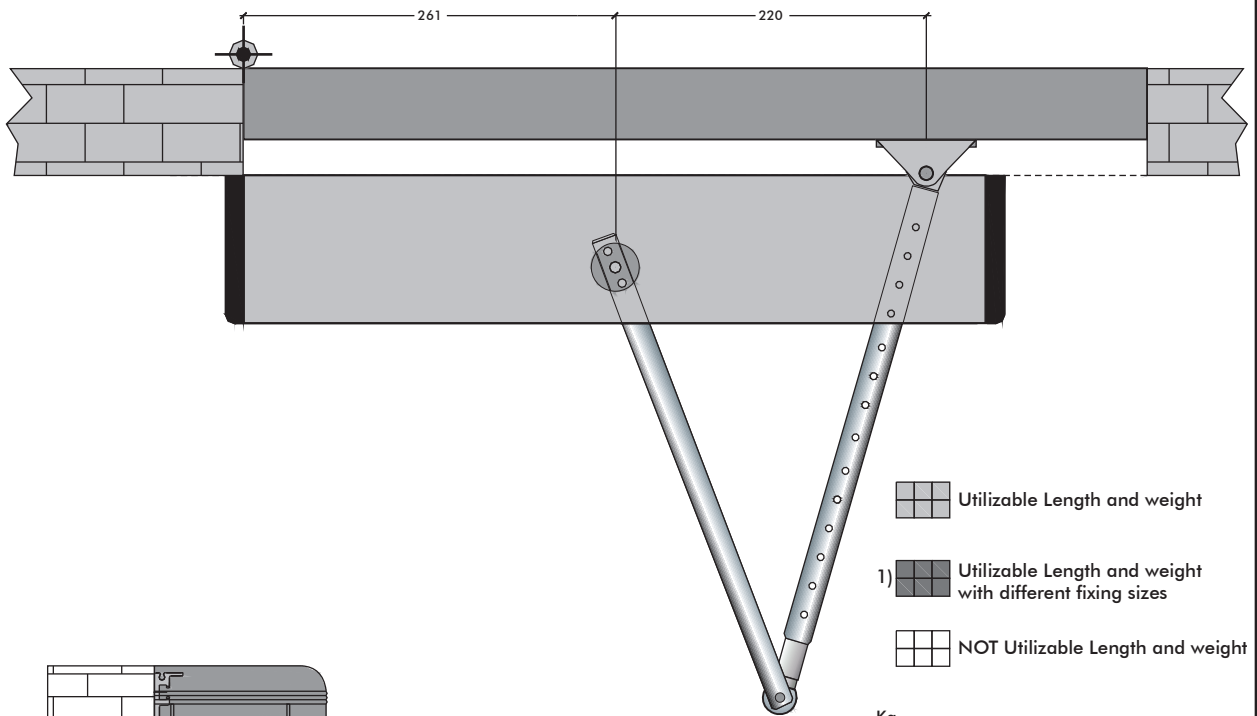
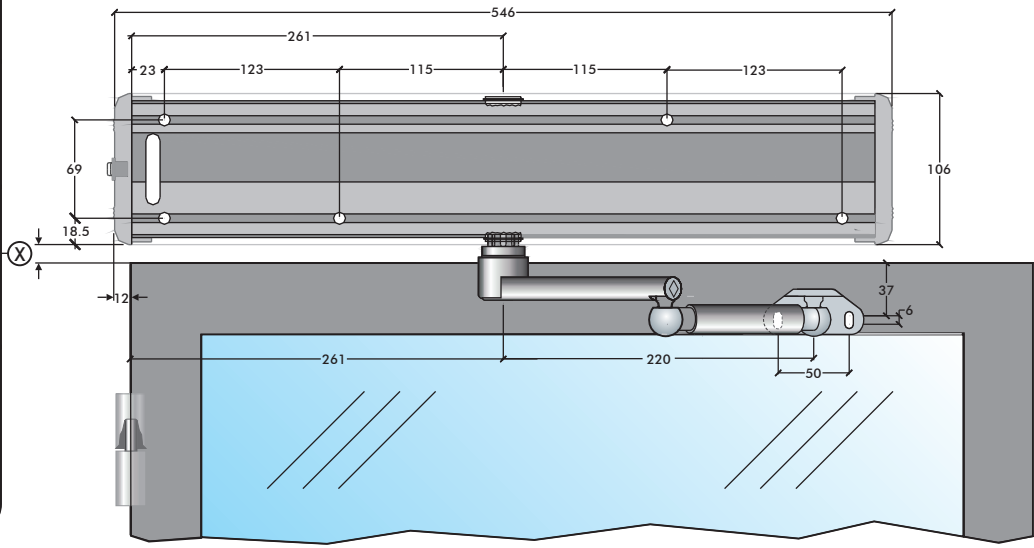
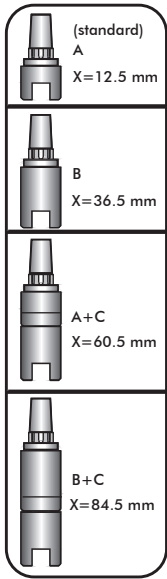


7.0 TECHNICAL DRAWINGS

ARTICULATE PUSH ARM



1) Fixing drawings available on request