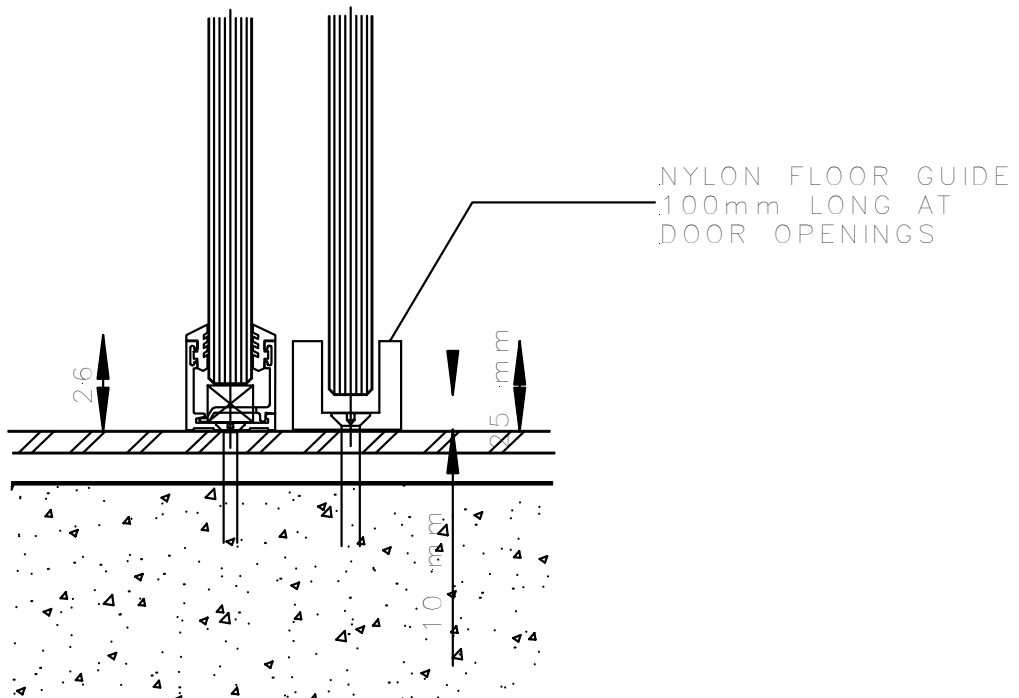
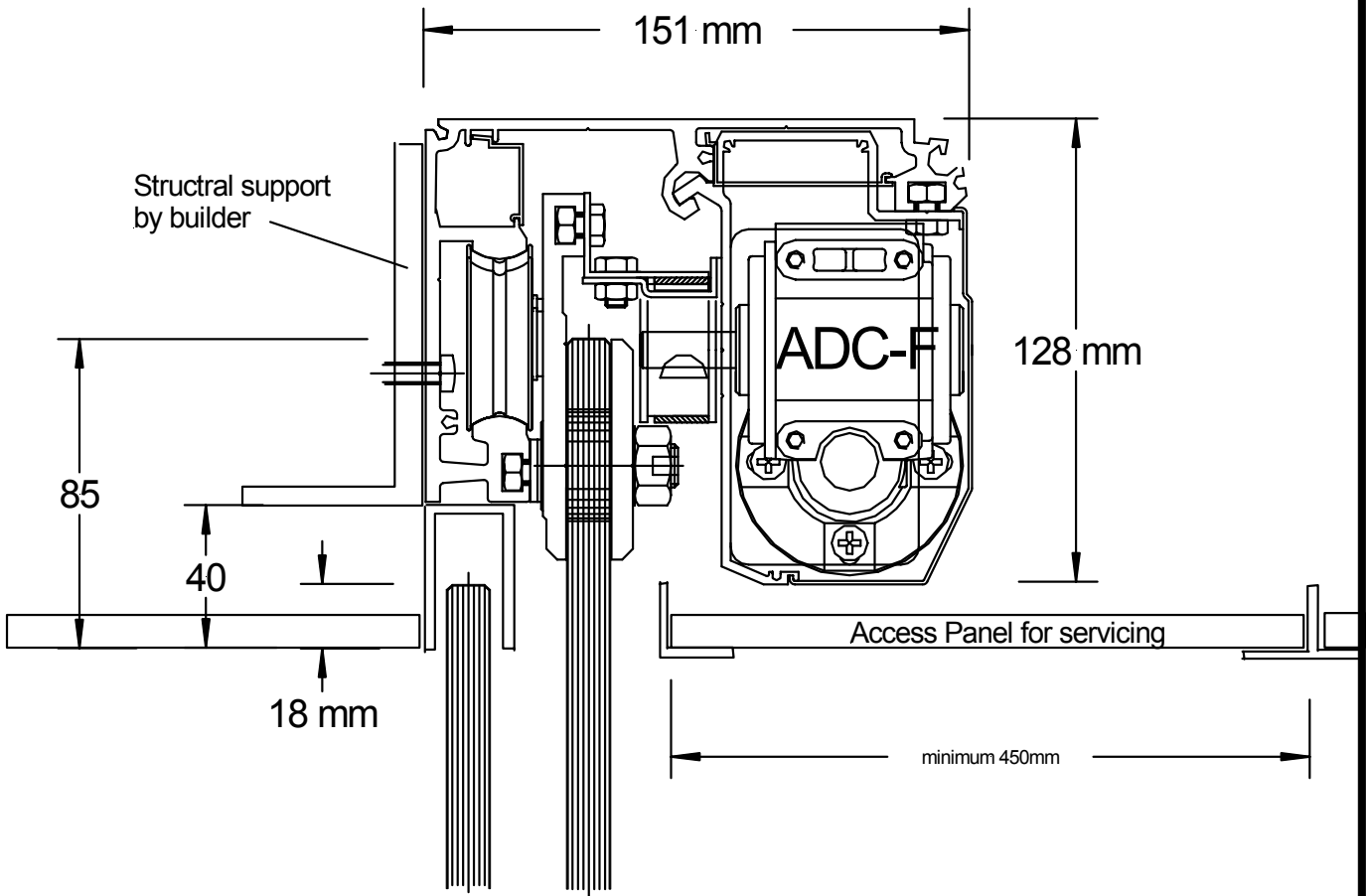


ADC - F S/BH

CONCEALED IN CEILING



SCALE 1:2